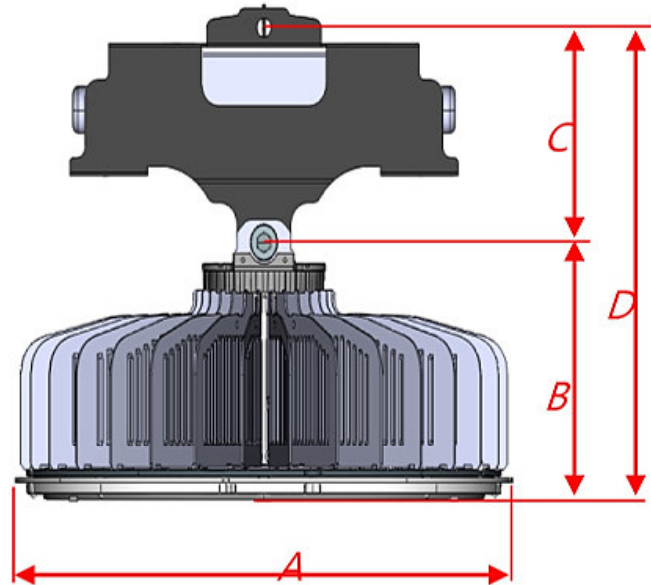




Location	Spec
A	Ø295.0
B	115.0
C	97.5
D	212.5



Product Applications

Auraled LED Highbays are designed for 10 meters and higher ceiling applications in factory, warehouses, and general task areas.

Features

- High efficient + dimmable + light weight + durable Product
- Min 145lm/w super luminaire efficiency with highest quality LED chip.
- Light metal frame design (aluminum housing + heat sink)
- Fully polycarbonate lens
- Radial aluminum heat sink fins
- Easy installation structure
- 1-10V Dimming

Auraled
illuminate your future

Specifications

Auraled
illuminate your future

Model	HSP120	HSP140	HSP160	HSP170	HSP195
Wattage	120(W)	140(W)	160(W)	170(W)	195(W)
Power Factor	0.99@120V; 0.94@277V				
In. Voltage	AC 120-277 VAC				
Lumens Delivered (lm)	17,400 lm	20,300lm	23,200lm	24,650 lm	28,275lm
Efficacy (lm/W)	Min 145 lm/W				
CCT	5,000 K				
Lumen Maintenance (L70)	>50,000 hours				
CRI	Typ. 80				
Beam Angle	75°, 110°				
Dimension / Weight	295Ø x 212.5mm / 3.1Kg,				
Housing	Aluminum				
Front Cover	Polycarbonate (PC)				
Mounting	Bracket				
Operating Temperature	-20°C to 50°C				
Humidity	10% - 90% RH, non condensing				
IP	Recommend to use at IP64				
Certification	CE, LM79, LM80				
Material Usage	ROHS compliment; no mercury				
Environment	Indoor / Damp Rated				
Dimming	1-10V Dimmable				