

# TRACK LIGHT & APPLIQUE

LLT-ETR10; LLT-ETR32 NW WW IP20

CODICE - CODE -----	LLT-ETR10; LLT-ETR32
FINITURA - FINISHING -----	White Black
COLORE - COLOURS -----	3000k° 4000K°
ANGOLO - ANGLE -----	24° 38° 60°
POTENZA - POWER -----	10; 32 W
LUMEN -----	900; 2700 lm
DIMENSIONI - DIMENSION -----	92X190mm
CRI -----	> 80 RA

**Caratteristiche / Features**

Design in alluminio, durata: fino a 50.000 +h, assenza di Mercurio, Garanzia 5 anni. INSTANT LIGHT ON: <0.5 s = 100% light On/Off: > 15.000 - A+.

Aluminium housing, Lifetime: up to 50.000+ h, Mercury-free lamps. Warranty 5 years.

INSTANT LIGHT ON: <0.5 s = 100% light On/Off: > 15.000.

AC 95-265 VAC 50/60Hz

Sferiche LLA-AT18; IP44 NW WW

Tonde e Quadrate Round and Square LLA-T6; LLA-T12; LLA-T18; LLA-T20; LLA-Q6; LLA-Q12; LLA-Q18; NW WW CW IP20

CODICE - CODE -----	LLA-AT18; LLA-T6; LLA-T12; LLA-TA18; LLA-T20; LLA-Q6; LLA-Q12; LLA-Q18
FINITURA - FINISHING -----	White
COLORE - COLOURS -----	3000 k° 4000 K° 6000 K°
ANGOLO - ANGLE -----	120°
POTENZA - POWER -----	6, 12, 18, 20, W
LUMEN -----	390, 850, 1450, 1600, lm
DIMENSIONI - DIMENSION -----	360X115mm sferiche; T122x35mm ; 177x35mm; 227x35mm; 247x35mm; Q 122x122x35mm; 172x172x35mm;; 227x227x35mm
CRI -----	> 80 RA

**Caratteristiche / Features**

Corpo in alluminio rivestito in termoplastica, diffusore PMMA alta qualità con oltre il 90% di luce, durata: fino a 50.000 +h, assenza di Mercurio, Garanzia 5 anni. INSTANT LIGHT ON: <0.5 s = 100% light On/Off: > 15.000 - A+. Per la sferica alluminio + coperchio in acrilico sensore microonde disponibile.

Aluminium housing and termoplastic.

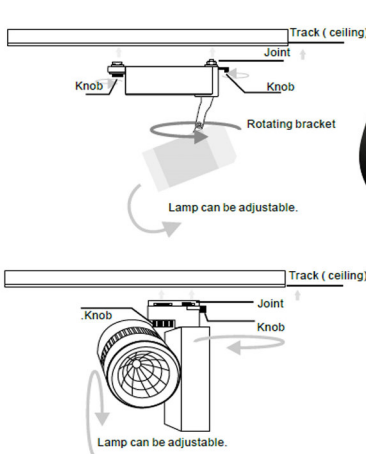
PMMA diffuser with over 90% light, Lifetime: up to 50.000+ h, Mercury-free lamps. Warranty 5 years.

INSTANT LIGHT ON: <0.5 s = 100% light On/Off: > 15.000.

For the sferic one aluminium and acrylic cover, microwave sensor available.



**INSTALLING**



**Auraled**  
illuminate your future

